

QL3B Single Head

Filter head exclusively for Everpure replacement cartridges

EVERPURE[®]

APPLICATIONS

Foodservice
Vending
OCS

FEATURES AND BENEFITS

Commercial quality filter head is designed exclusively to fit Everpure filter cartridges.

Includes built-in water shut-off valve.

Includes mounting bracket and screws.

Solid durable construction is ideal for foodservice and vending applications.

All wetted parts have passed NSF extraction tests.

Engineered for durability, strength and longevity.

Corrosion resistant hardware.



QL3B Single Head: EV9259-24

OPERATIONAL TIPS

Change cartridges on a regular 6 month preventative maintenance program.

Change cartridges when capacity is reached or when pressure decreases.

Always flush the filter cartridge at time of installation and cartridge change.

SPECIFICATIONS

Overall Dimensions:	3" H x 3.75" W x 3.5" D (7.6 x 9.5 x 8.9 cm)
Rated Capacity:	Varies according to filter cartridge used
Electrical Connection:	None

Everpure water treatment systems (excluding replaceable elements) are covered by a limited warranty against defects in material and workmanship for a period of five years after date of purchase. Everpure replaceable elements (filter cartridges and water treatment cartridges) are covered by a limited warranty against defects in material and workmanship for a period of one year after date of purchase. See printed warranty for details. Everpure will provide a copy of the warranty upon request.

QL3B Single Head

EV9259-24

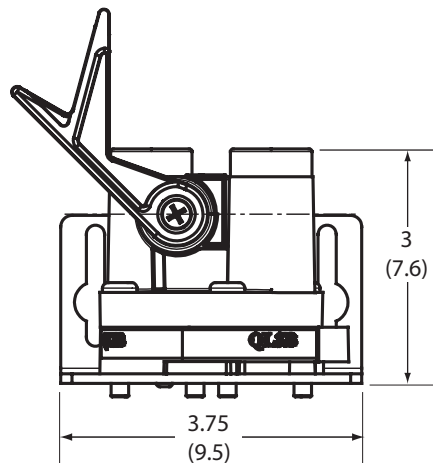
INSTALLATION TIPS

Mounts directly onto flat surface.

Install vertically so cartridge hangs down.

Allow 2-1/2" clearance below the cartridge for easy cartridge replacement.

Flush filter by running water through filter according to cartridge instructions.



EVERPURE reserves the right to update specifications, change prices, or make substitutions without notice.

Everpure-Shurflo India
A-25
Mohan Co-operative Industrial Estate
Mathura Road
New Dehli, 110 044
INDIA
TEL: 011.661.188.00
FAX: 011.661.188.22

Everpure-Shurflo Japan Inc.
Hashimoto MN Bldg. 7F
3-25-1 Hashimoto, Midori-ku
Sagamihara-Shi Kanagawa 252-0143
JAPAN
TEL: 81.(0)42.775.3011
FAX: 81.(0)42.775.3015

Everpure-Shurflo China
21F Cloud 9 Plaza, No 1118,
West Yan'an Road, Changning District
Shanghai, 200052
CHINA
TEL: 86.21.3211.4588
FAX: 86.21.3211.4580

EVERPURE®

WATER YOU CAN TRUST®

Visit our website at www.everpure.com

Pentair Filtration Solutions, LLC
World Headquarters-Everpure/Shurflo
North and South America Sales
1040 Muirfield Dr.
Hanover Park, Illinois 60133
USA
TEL: 800.323.7873 (US only)
TEL: 630.307.3000
FAX: 630.307.3030

Everpure-Shurflo Australia
2 Redwood Drive
Notting Hill
Victoria, 3168
AUSTRALIA
TEL: 011.61.39.574.4000
FAX: 011.61.39.562.7237

Everpure-Shurflo Southeast Asia
18 Boon Lay Way
#04-110/111
TradeHub 21, 609966
SINGAPORE
TEL: 65.6795.2213
FAX: 65.6795.2219

Everpure-Shurflo Europe bvba
Industriepark Wolfstee
Toekomstlaan 30
B-2200 Herentals
BELGIUM
TEL: +32.(0).14.283.500
FAX: +32.(0).14.283.505